

# EMK5501

*5 bays backplane module*



# EMK5501

5 bays backplane module

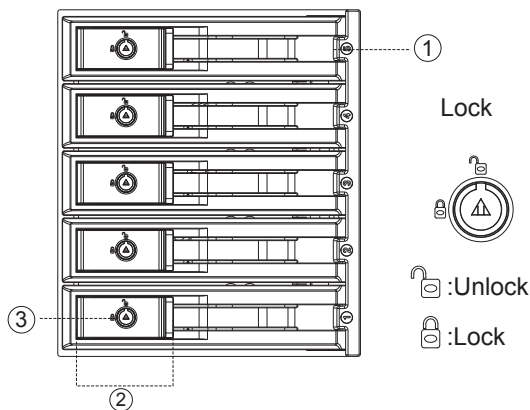


EMK5501



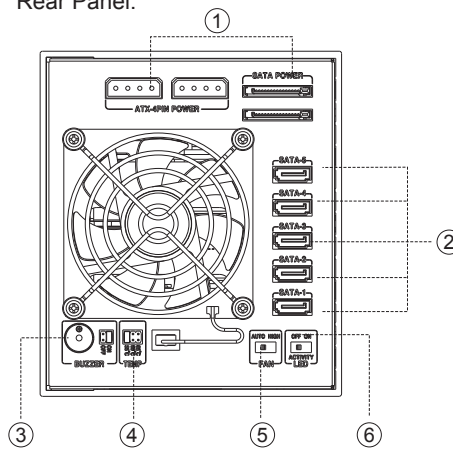
## Panel function

Front Panel:



1. Power switch / LED indicator
2. Easy latch door
3. Lock

Rear Panel:



1. Power in port (4 pin \*2 or 15 pin \*2)
2. SATA data port
3. Buzzer switch
4. Temperature alarm setting
5. Fan setting mode
6. LED indicator switch on/off

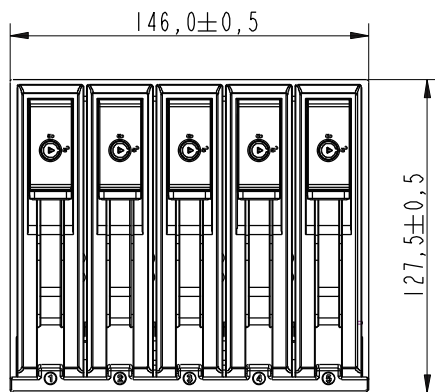
## Features

- Patented NSS (Non-Scratch SATA) connector
- Fits 5 x 3.5" SATA & SAS HDD and takes three 5.25" bays
- Independent power control switch and LED indicator
- Power total control system makes it easy to turn on/off all drives at once
- Drive Guidance Rail: Ensure precision drive insertion into the module
- Dual alarm system: easily monitor the working status through the buzzer or LED indicator
- Built-in 8cm fan
- Intelligent fan controller with alarm setting at 55 / 60 / 65°C
- Aluminum housing for great heat dissipation
- SAS hard drives compatible, support only one SAS Primary data port
- Hard drive capacity unlimited

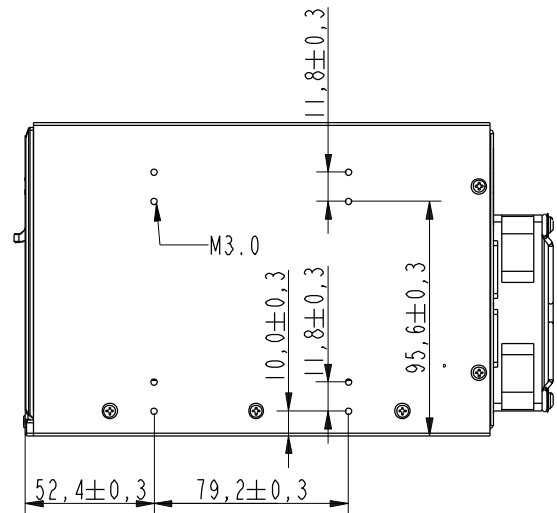
## Specifications

EMK5501	
Drive Fit	5 x 3.5" SATA I, II, III & SAS HDD
Drive Bay	3 x 5.25" bay
Material	Aluminum
LED	Blue LED on for power; blinks for activity
Fan	One 8cm (3000 rpm) fan with alarm setting at 55 / 60 / 65°C
Key Lock	Yes
Dimension	190.5 (L) x 127.5 (W) x 146 (H) mm
Product Weight	1704 g
Working Environment	0~55°C
Operating System	Windows 7/ 8, Mac 9.3 or higher
Accessory	Screw x 8, manual x 1, key x 2, SATA data cable x 5

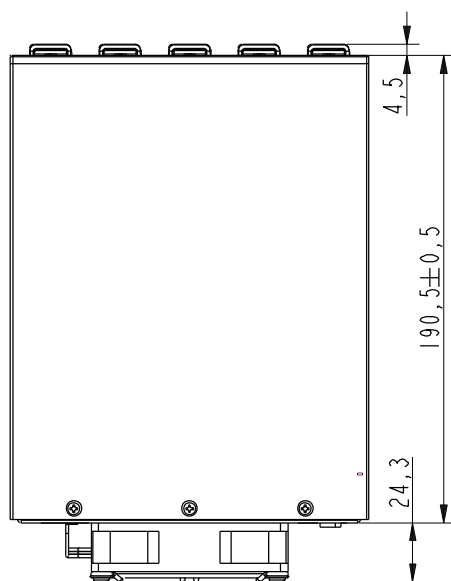
## Dimension



Front view



Side view



Top view

unit:mm